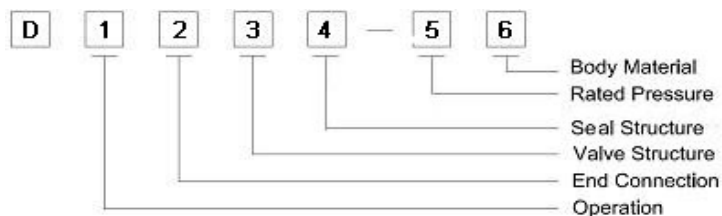


### RUBBERLINED BUTTERFLY VALVE

#### Ordering Guide



#### 1. Operation

Operator	Bare Shaft	Hand Wheel	Pneumatic Actuator	Electric Actuator
Code	0	H	P	E

#### 2. End Connection

Connection	Double Flange	Wafer
Code	F	W

#### 3. Valve Structure

Structure	Center Line	Double Eccentric	Triple Eccentric
Code	C	D	T

#### 4. Seal Structure

Structure	Soft Sealing	Metal sealing
Code	S	M

#### 5. Rated Pressure

Pressure	PN 0.6MPa	PN 1.0MPa	PN 1.6MPa
Code	6	10	16

#### 6. Body Material

Body Material	Cast Iron	Ductile Iron	WCB	Stainless Steel	Bronze
Code	C	D	W	S	B



#### Pressure and Temperature

Model	H DPWCS-6 E	H DPWCS-10 E	H DPWCS-16 E
Nominal Pressure	6bar	10bar	16bar
Hydraulic Shell Test Pressure	9bar	15bar	24bar
Hydraulic Seat Test Pressure	6.6bar	11bar	17.6bar
Temperature	≤150℃		
Suitable Media	Water, Oil		

### Material Specification

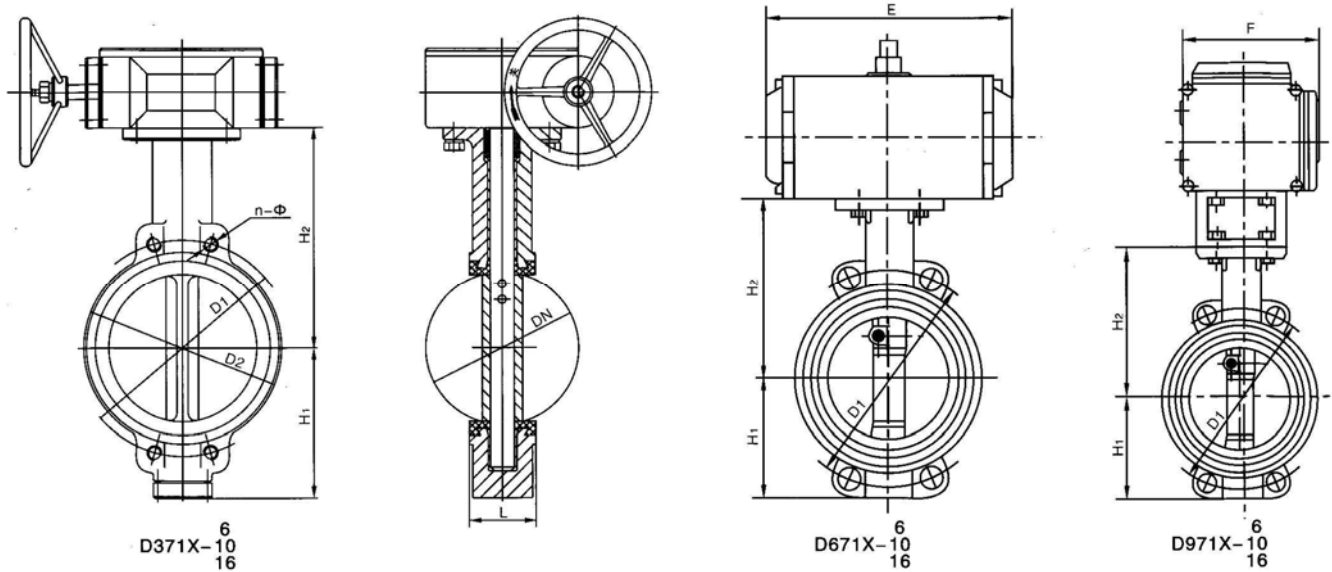
Component	Body and Disc	Seat	Packing	Stem
Material	Grey cast iron	NBR	Graphite	Stainless steel
	Ductile iron	EPDM		
	WCB	PTFE	NBR	
	Stainless steel			

### Main Shaft Torque

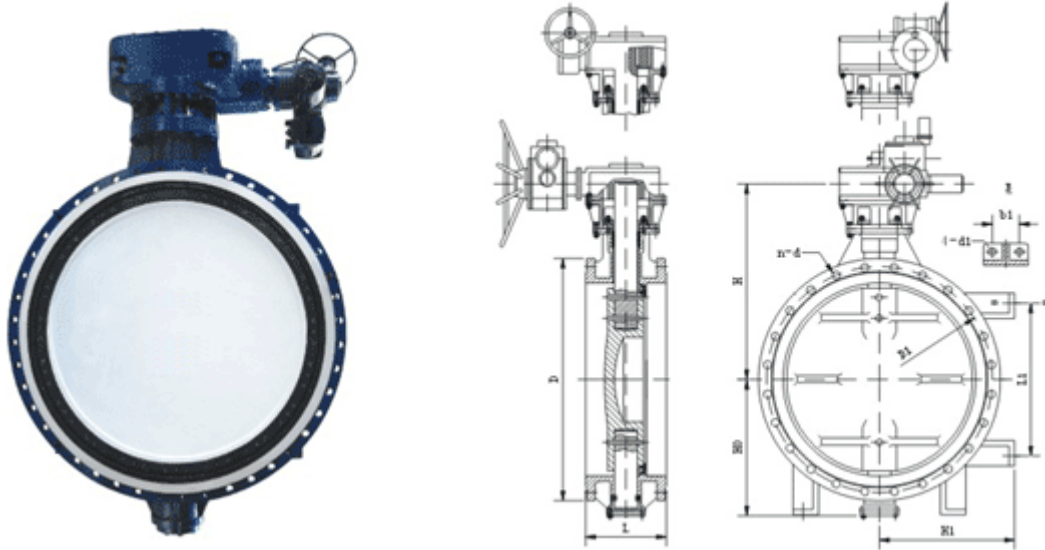
No.	Valve Size (DN)	Rated Pressure (PN)	Safety coefficient (K)	Torque (N.m)	No.	Valve Size (DN)	Rated Pressure (PN)	Safety coefficient (K)	Torque (N.m)
1	DN50	1.6	1.5	20	14	DN600	1.6	1.5	6341
2	DN65	1.6	1.5	31	15	DN700	1.6	1.5	9370
3	DN80	1.6	1.5	51	16	DN800	1.6	1.5	10130
4	DN100	1.6	1.5	87	17	DN900	1.6	1.5	16942
5	DN125	1.6	1.5	133	18	DN1000	1.6	1.5	23012
6	DN150	1.6	1.5	204	19	DN1200	1.6	1.5	37350
7	DN200	1.6	1.5	410	20	DN1400	1.6	1.5	56517
8	DN250	1.6	1.5	699	21	DN1600	1.6	1.5	81192
9	DN300	1.6	1.5	1102	22	DN1800	1.6	1.5	114694
10	DN350	1.6	1.5	1592	23	DN2000	1.6	1.5	153104
11	DN400	1.6	1.5	2213	24	DN2200	1.6	1.5	199136
12	DN450	1.6	1.5	2964	25	DN2400	1.6	1.5	253468
13	DN500	1.6	1.5	3857					



### Dimensions



Nominal Size DN(mm)	Dimensions					Flange and Bolts Dimensions					
	L	H1	H2	E	F	0.6MPa		1.0MPa		1.6MPa	
						D1	n-Φ	D1	n-Φ	D1	n-Φ
50	43	80	160	137	109	110	4-Φ14	120	4-Φ19	125	4-Φ19
65	46	88	175	204	109	130	4-Φ14	136	4-Φ19	145	4-Φ19
80	46	96	180	204	109	150	4-Φ19	160	4-Φ19	160	4-Φ19
100	52	115	200	230	135	170	4-Φ19	185	4-Φ19	180	4-Φ19
125	56	128	213	271	135	200	4-Φ19	215	4-Φ19	210	4-Φ19
150	56	140	225	305	153	225	4-Φ19	238	4-Φ23	240	4-Φ23
200	60	175	260	380	218	280	4-Φ19	295	4-Φ23	295	4-Φ23
250	68	202	290	462	218	335	4-Φ19	357	4-Φ23	355	4-Φ28
300	78	242	330	555	218	395	4-Φ23	407	4-Φ23	410	4-Φ28
350	78	266	360			445	4-Φ23	467	4-Φ23	470	4-Φ28
400	102	298	390			495	4-Φ23	515	4-Φ28	525	4-Φ31
450	114	315	410			550	4-Φ23	565	4-Φ28	585	4-Φ31
500	127	348	430			600	4-Φ23	620	4-M24	650	4-M30
600	154	400	490			705	4-Φ26	725	4-M27	770	4-M33
700	165	520	550			810	4-Φ26	840	4-M27	840	4-M33
800	190	591	610			920	4-Φ31	950	4-M30	950	4-M36
900	203	660	680			1020	4-M27	1050	4-M30	1050	4-M36
1000	216	670	730			1120	4-M27	1160	4-M33	1170	4-M39
1200	254	780	835			1340	4-M30	1380	4-M36	1390	4-M45
1400	279	890	935			1560	4-M33	1590	4-M39	1590	4-M45
1600	318	1000	1035			1760	4-M33	1820	4-M45	1820	4-M52



Nominal Size DN(mm)	Pressure PN(MPa)	Dimensions										Weight (Kg)	
		D	D1	L	H0	H	H1	L1	b1	d1	n-d		
150	1.0	285	240	140	142	250						8-22	80
200	1.0	340	295	152	170	335						8-22	100
250	1.0	395	350	165	220	405						12-22	121
300	1.0	445	400	178	260	440						16-22	159
350	1.0	505	460	190	300	485						16-26	222
400	1.0	565	515	216	330	510						20-26	237
450	1.0	615	565	222	355	550						20-25	271
500	1.0	670	620	229	385	640						20-26	300
600	1.0	780	725	267	445	700						20-30	381
700	1.0	895	840	292	510	805						24-30	651
800	1.0	1015	950	318	570	950						24-30	792
900	1.0	1115	1050	330	630	1000						28-33	1034
1000	1.0	1230	1160	300	700	1140						28-36	1334
1200	1.0	1455	1380	350	830	1350	800	500	180	37		32-39	1953
1400	1.0	1675	1590	390	960	1470	900	700	180	41		36-42	2937
1600	0.6	1830	1760	420	1080	1630	1000	1000	180	41		36-40	4276
1800	0.6	2045	1970	490	1215	1750	1100	1100	190	41		39-44	5150
2000	0.6	2265	2180	540	1350	1850	1200	1200	240	43		42-48	6460
2200	0.6	2475	2390	600	1600	1980	1300	2200	330	43		42-52	9100
2400	0.6	2652	2500	660	1750	2120	1500	2600	330	45		42-56	10710
2600	0.6	2905	2810	720	1880	2230	1500	2600	330	45		48-60	13760
2800	0.6	3115	3020	791	1980	2400	1610	2800	400	48		48-64	14280
3000	0.6	3315	3220	860	2080	2600	1690	3000	470	48		48-68	18200

Reserve the right, without notice, to alter or improve the designs of the products herein.